



REMOTE HANDSET CODING INSTRUCTIONS ATA: PTX4 & PTX5



TO CODE YOUR NEW REMOTE USING THE MOTOR PANEL

If you have access to the motor operating your door/gate, you can use these instructions. However, if the door/gate motor is shared with other tenants at a residential/commercial complex, **do not** use these instructions.

1. Ensure your new battery is installed correctly in the new remote
2. Remove the Plastic shield (IF one is in place) covering your motor panel buttons
3. Press and hold down the DOOR CODE button on the motor panel (keep it held down)
4. Press the remote control button you would like to operate the door/gate for TWO SECONDS, release the button for TWO SECONDS, then press it again for TWO SECONDS
5. Release the DOOR CODE button on the motor panel
6. Press the remote control button to test operation of the door/gate

Note: IF YOU HAVE AN **ATA RECEIVER** follow the above procedures but press **SW1** on the receiver panel, instead of the DOOR CODE button

TO CODE YOUR NEW REMOTE USING A WORKING REMOTE

If you have a remote that currently operates a door/gate, you can use these instructions when you are standing in range of the motor (ie. when the motor is on a shared door/gate at an Apartment complex)

1. Ensure your new battery is installed correctly in the new remote
2. Press the button on the working remote to operate the door/gate
3. Press a paperclip/small needle into the hole in the centre of the working remote for TWO SECONDS
4. Within the next 10 seconds: Press the new remote control button you would like to operate the door/gate for TWO SECONDS, release for TWO SECONDS, then press again for TWO SECONDS
5. Press the new remote control button to test operation of the door/gate

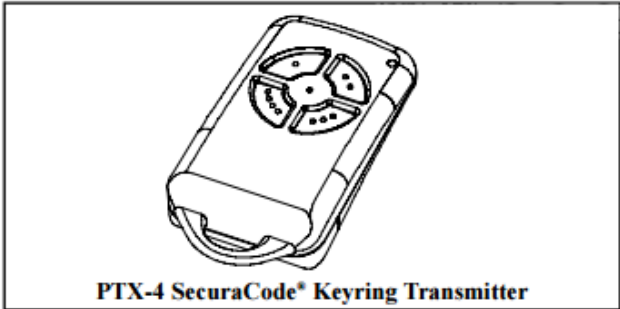
TO DELETE ALL STORED CODES FROM A DOOR MOTOR

Do not do this if the door motor is shared with other tenants at a residential/commercial complex.

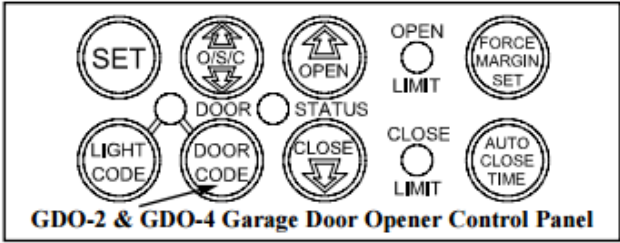
1. Turn motor power off
2. Press and hold down the DOOR CODE or SW1 button
3. Turn power on
4. Release DOOR CODE or SW1 button
5. All remotes will no longer operate the door motor

Thank you for your purchase.

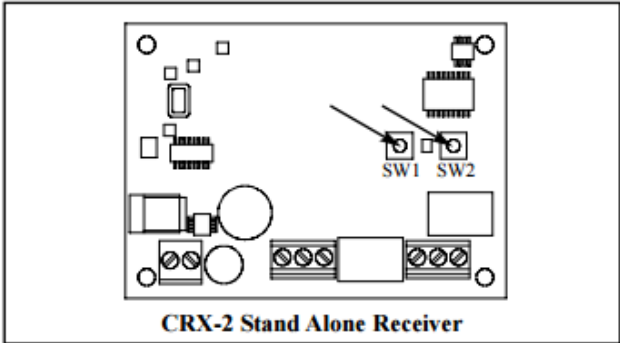
Our Customer Support team are available 8am-5pm on (07) 5476 9227 if you have any further questions.



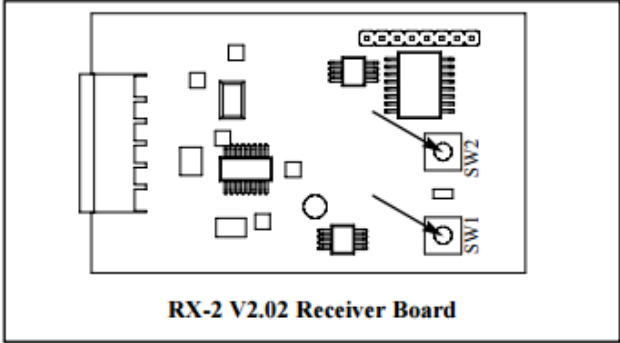
PTX-4 SecuraCode® Keyring Transmitter



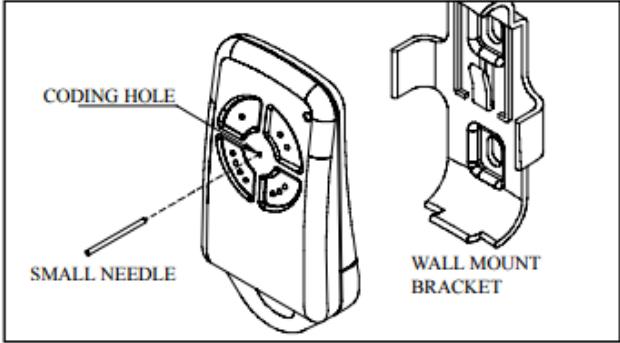
GDO-2 & GDO-4 Garage Door Opener Control Panel



CRX-2 Stand Alone Receiver



RX-2 V2.02 Receiver Board



Thank you for your purchase.
Our Customer Support team are available 8am-5pm on (07) 5476 9227 if you have any further questions.