



REMOTE HANDSET CODING INSTRUCTIONS ATA: KPX6



TO CODE YOUR NEW WIRELESS KPX KEYPAD INTO YOUR DOOR OR GATE

Note: there is a TIMEOUT of approximately 5 seconds – if you take longer than 5 seconds between steps the procedure may not be processed.

TO INITIALLY SETUP THE NEW KEYPAD (this must be done upon KEYPAD installation and before first use otherwise it cannot be coded to any door/gate):

1. Press 1111 followed by the hash # key on the Keypad (see Fig. 1 over page)
2. Press and hold down the hash # key again - a long beep for approximately 5 seconds should be heard.
3. Once the beep sound stops, release the hash # key
4. Enter your own unique 4-8 digit code (ie. 1234) followed by the hash # key. Repeat within 3 seconds to confirm new code. A short string of beeps will sound to confirm the code acceptance
5. Test entering the PIN code followed by the hash # key. Press any button from 1 to 8 – a continuous string of beeps should sound

Note: **You cannot set your unique 4-8 digit code as 1111 or 8888 8888**

TO CODE THE KEYPAD TO OPERATE YOUR DOOR/GATE MOTOR:

1. Press and HOLD DOWN the DOOR CODE button on the motor panel (see Fig. 2). Keep it press down whilst completing Step 2:
2. Enter your PIN code followed by the hash # key, then press one of the eight CHANNEL buttons (1 – 8) you wish to operate the door/gate. Pause for one second then press the same CHANNEL button again.
3. Release the DOOR CODE button on the motor panel
4. Test entering the Keypad PIN code followed by the hash # key and CHANNEL button to operate the door/gate

Note: IF YOU HAVE AN **ATA RECEIVER** follow the above procedures but press **SW1** on the receiver panel, instead of the DOOR CODE button (see Fig. 3)

TO CHANGE A STORED PIN CODE:

Warning: Do not change an existing PIN code to 8888 8888 as this will permanently DELETE it. Do not delete all PIN codes from the Keypad memory as this will render the Keypad inoperable and can only be reset at the factory.

1. Enter your existing PIN code followed by the hash # key
2. Press and hold down the hash # key again - a long beep for approximately 5 seconds should be heard.
3. Once the beep sound stops, release the hash # key
4. Enter your new 4-8 digit PIN (ie. 1234) followed by the hash # key. Repeat within 3 seconds to confirm new code. A short string of beeps will sound to confirm the code acceptance
5. Test entering the PIN code followed by the hash # key. Press any button from 1 to 8 – a continuous string of beeps should sound
6. Test entering the PIN code followed by hash # and your CHANNEL button to operate the door/gate.

Thank you for your purchase.

Our Customer Support team are available 8am-5pm on (07) 5476 9227 if you have any further questions.

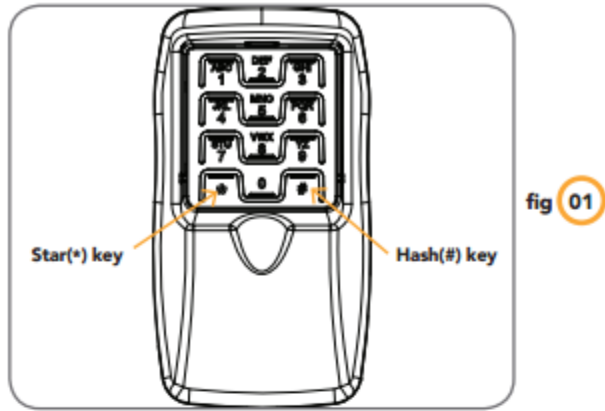


fig 01

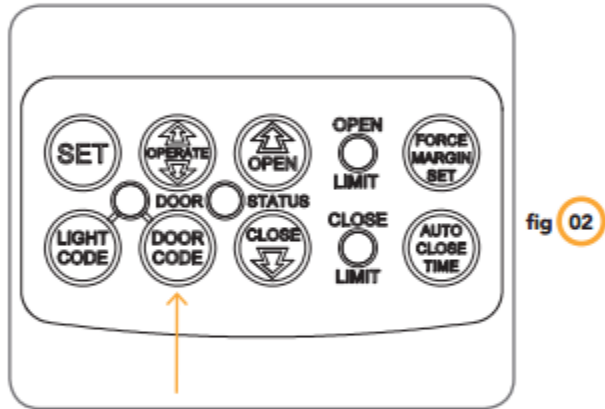


fig 02

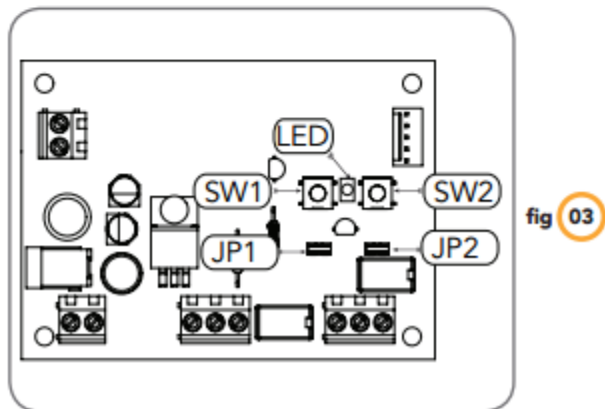


fig 03